

PRODUCT INFORMATION

An extremely useful commercial pillar with many applications. Has a smaller profile and fuse carrying capacity than the EP106.

MAXIMUM FUSE CAPACITY

- 32x 63A; or Multiple 63A fuse carriers with Disconnect units up to 250A

FEATURES

- LID SCREWS: 4 x M8x16mm Button Head, Stainless Steel Screws, 5mm Drive or Tox Screws (to meet network requirements)
- Comes fitted with a 10-way neutral and rubber apron for maximum technical safety

Optional Features

- This pillar has the option of a cliplock
- Fuse carriers/disconnects fitted to your network requirements

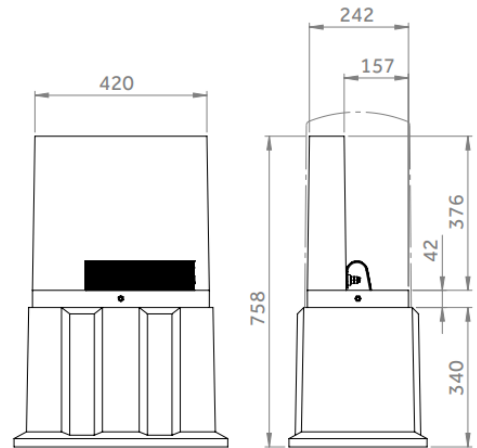
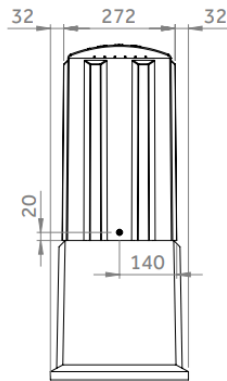
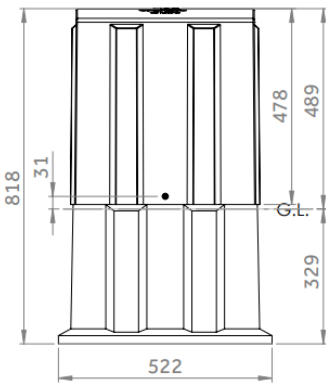
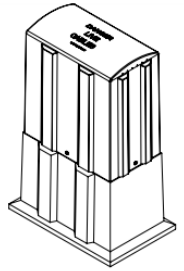
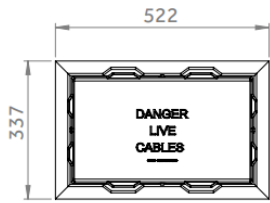


PRODUCT SKU'S

SKU	PRODUCT	DESCRIPTION
201130	EP107 ASSEMBLY & NEUTRAL BAR - BLACK	Assembly – Black Lid
201135	EP107 ASSEMBLY & NEUTRAL BAR - KHAKI	Assembly – Khaki Lid
201133	EP107 ASSEMBLY & NEUTRAL BAR - MARLBOROUGH SPEC	Assembly – Marlborough Spec
201137	EP107 ASSEMBLY & NEUTRAL BAR - AURORA SPEC	Assembly – Aurora Spec
201132	EP107 LID ONLY - BLACK	Lid Only - Black
201134	EP107 LID ONLY - KHAKI	Lid Only - Khaki
201136	EP107 LID ONLY - AURORA	Lid Only - Aurora
201131	EP107 BASE - BLACK	Base Only
502006	63A FUSE BW - FITTED (IPD)	IPD 63amp fuse back wire fitted to pillar
502000	32A FUSE BW - FITTED (IPD)	IPD 32amp fuse back wire - fitted to pillar

PRODUCT INFORMATION

2-DIMENSIONAL DRAWINGS



FUSE MOUNTING AREA
MAXIMUM CAPACITY 32x FUSES